

Front Side Mount
Case IH
Steiger Quadtrac
435QT, 385QT
STX Quadtrac
500QT, 480QT, 450QT
440QT, 430QT, 425QT, 380QT
375QT
(Large Frame)

PARTS LIST			
ITEM	QTY	PART NUMBER	DESCRIPTION
1	1	20-1025	7" x 7" Tube 16' Long
2	1	20-1404*LFL	Case STX Lg. Frame Side Plate L
3	1	20-1404*LFR	Case STX Lg Frame Side Plate R
4	1	20-1704*LFR	Case STX LF Tube Brace R
5	1	20-1704*LFL	Case STX LF Tube Brace L
6	1	20-1502	Case STX/Steiger Axle Plate Lg & XL Frame
7	4	60-1033	4 x 6 Angle
8	4	20-1900	Case STX/Steiger Quad Track Tank Ext
9	2	20-1011	300 Saddle
10	1	20-1013	400 Saddle

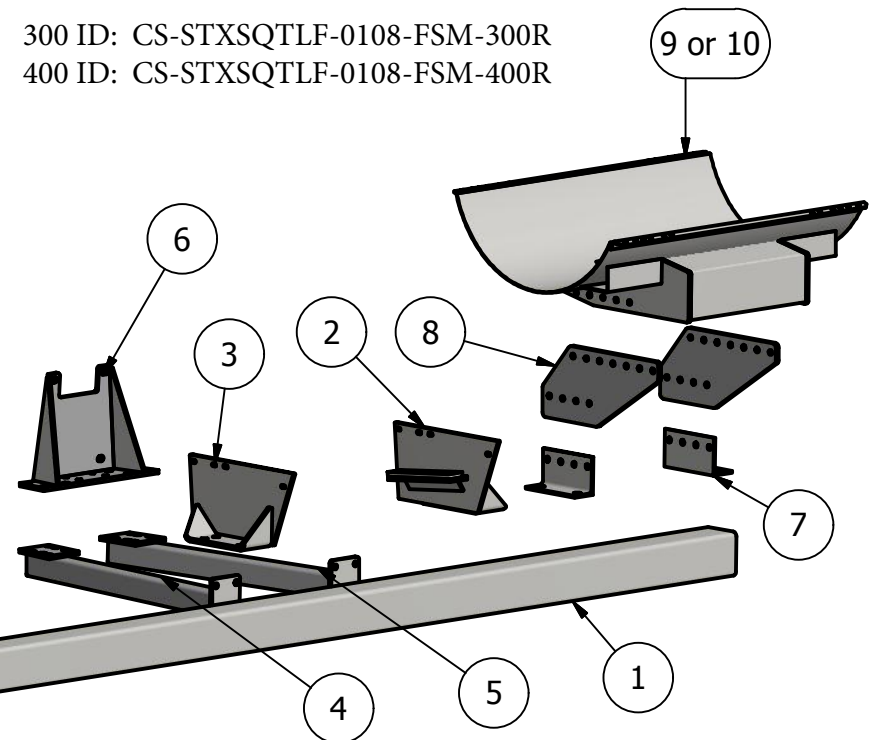
Limitations may apply. Please consult API Sales at 800-288-1117.

Price List
300 gal w/Tanks \$4900.00
400 gal w/Tanks \$5430.00

Bolt List

QTY	Description	Placement
8	20 mm x 90 mm x 10.9 Bolts	Side Plate to Tractor
4	20 mm x 45 mm x 10.9 Bolts	Axle Plate to Front Axle
4	20 mm x 60 mm x 10.9 Bolts	Axle Plate to Front Axle
8	16 mm x 45 mm x 10.9 Bolts	Side Plates to Tractor
10	20 mm Hardened Flat Washers	
8	16 mm Hardened Flat Washers	
8	3/4 x 2 1/2 Bolts	Axle Plate to Side Braces
16	3/4 x 2 1/2 Bolts	Angle to Spacer Plate
16	3/4 x 2 1/2 Bolts	Spacer Plate to Saddle
4	3/4 x 7 x 9 U-bolts	Axle side Braces to 7 x 7 Tube
48	3/4 in Lock Washers	
48	3/4 in Nuts	
4	1 x 7 x 9 U-bolts	Saddle Angle to Tube
4	1 x 7 x 9 U Bolt	7 x 7 Tube to Tractor Side Plates
16	1" Lockwashers	
16	1" Nuts	
4	Nylon Straps	Tank to Saddle

300 ID: CS-STXSQTLF-0108-FSM-300R
 400 ID: CS-STXSQTLF-0108-FSM-400R



Front

2



1