

Front Side Mount Case IH

Steiger 535,485 STX 530 (XL Frame)

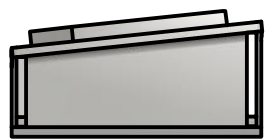
PARTS LIST			
ITEM	QTY	PART NUMBER	DESCRIPTION
1	1	20-1025	7" x 7" x 3/8" x 16' Long
2	1	20-1704*XLR	Cast STX Lg & XL Frame Tube Brace R
3	1	20-1704*XLL	Cast STX Lg & XL Tube Brace L
4	1	20-1502	Case STX/Steiger Axle Plate Lg & XL Frame
5	1	20-1405*XLR	Case STX XL Lg Frame side Plate R
6	1	20-1405*XLL	Case STX XL Lg Frame Side Plate L
7	4	60-1033	4 x 6 Formed Angle x 11 in
8	2	20-1011	300 Saddle
9	2	20-1013	400 Saddle

Bolt List		
QTY	Description	Placement
6	20 mm x 90 mm x 10.9 Bolts	Side Plate to Tractor
4	20 mm x 45 mm x 10.9 Bolts	Axle Plate to Front Axle
10	20 mm Hardened Flat Washers	
8	3/4 x 2 1/2 Bolts	Axle Plate to Side Braces
16	3/4 x 2 1/2 Bolts	Angle to Bottom of Saddle
4	3/4 x 7 x 9 U-bolts	Axle side Braces to 7 x 7 Tube
32	3/4 in Lock Washers	
32	3/4 in Nuts	
4	1 x 7 x 9 U-bolts	Saddle Angle to Tube
4	1 x 7 x 9 U Bolt	7 x 7 Tube to Tractor Side Plates
16	1" Lockwashers	
16	1" Nuts	
4	Nylon Straps	Tank to Saddle

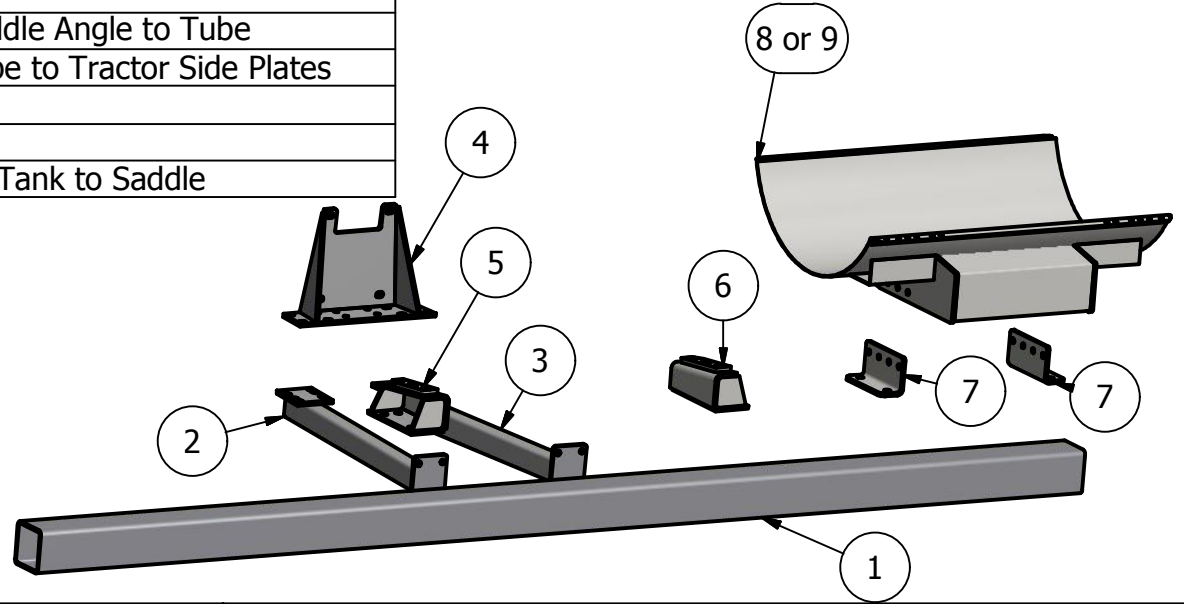
Price List
Front Side Mount
 300 gal w/Tanks \$4645.00
 400 gal w/Tanks \$5175.00

Limitations may apply. Please consult API Sales at 800-288-1117.

300 ID: CS-STXSWXLF-0610-FSM-300R
 400 ID: CS-STXSWXLF-0610-FSM-400R



Front



B

B

A

A

2

1